

## Datasheet

### Install Sub 10 Master

Part No: 610162



#### About the product

The Install Sub 10 Master impresses with its excellent audio properties and its **numerous application possibilities**. It is connected directly to an Audioserver or Miniserver Compact via **Tree Turbo** and can transmit the audio signal to a chain of **up to 20 Client speakers**. In this way, it forms a **flexible audio solution** that is scalable for any building size. The Install Sub 10 Master expands any Master/Client installation and **significantly improves the sound quality** of an audio installation by precisely reproducing low frequencies.

#### Features:

- Full integration into the Loxone system
- Music streaming via Bluetooth
- Up to 20 Client speakers via daisy chain per Master
- Up to 150m cable length (Tree Turbo/ Master Speaker)

#### Supply and Power

|                   |                              |
|-------------------|------------------------------|
| Supply voltage    | 18VDC ... 26VDC              |
| Power consumption | 1.5W (Standby)<br>35W (Peak) |

#### Interfaces

|                               |  |
|-------------------------------|--|
| Loxone Tree Turbo             | Connection with Audioserver or Miniserver Compact  |
| Master-Client Interface (MCI) | up to 20 speaker clients per Master<br>up to 30m wire length between clients<br>up to 600m total length<br>Wiring: Twisted pair, Line topology |
| Wireless                      | Bluetooth: Input V4.2  |


## Audio Specifications

|                          |  |
|--------------------------|--|
| Speaker type             | active Subwoofer, dual voice coil                    |
| Class-D Amplifier        | 35W nominal power<br>70W peak power                  |
| Frequency range          | 30 ... 100Hz   |
| Crossover frequency      | 100Hz  |
| SPL                      | 105dB @ 1m max.                                      |
| Woofer Ø                 | 254 mm / 10"   |
| Woofer membrane material | Altima (Aluminium-, Titanium-, Magnesium- composite) |

## Ambient Conditions

|             |                                  |
|-------------|----------------------------------|
| Temperature | -10 ... 50 °C / 14 ... 122 °F    |
| Humidity    | max. 95 % r. h. (non-condensing) |

## Certifications & Standards

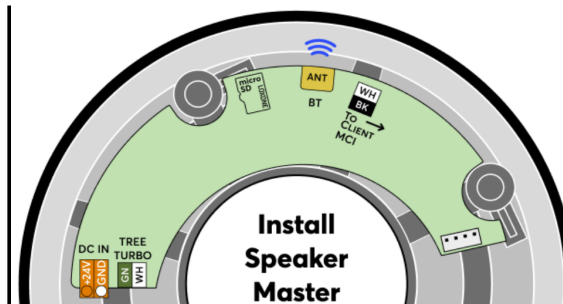
|                    |   |
|--------------------|---|
| Ingress protection | <br>IP53  IP54 |
| Certifications     | <br>CE UKCA  |

## Connection Terminals

|                        |   |
|------------------------|---|
| Terminal type          | 24VDC: TFKC 2.5<br>Tree Turbo, MCI: DG220B  |
| Wire cross-section     | 24VDC: 1 ... 2.5mm <sup>2</sup> / AWG17...12<br>Tree Turbo, MCI: 0.28 ... 0.8mm <sup>2</sup> / AWG23 ... 18 |
| Conductor type         | 24VDC: Stranded / Solid<br>Tree Turbo, MCI: Solid   |
| Stripping length       | 24VDC: 10mm / 0.39"<br>Tree Turbo, MCI: 5 ... 6mm / 0.2 ... 0.24"   |
| Temperature resistance | 24VDC: -40 ... 70°C / -40 ... 158°F Tree Turbo, MCI: -40 ... 105°C / -40 ... 221°F                          |
| Connection type        | 24VDC: Push-in<br>Tree Turbo, MCI: Push-in  |

## Connection Diagram

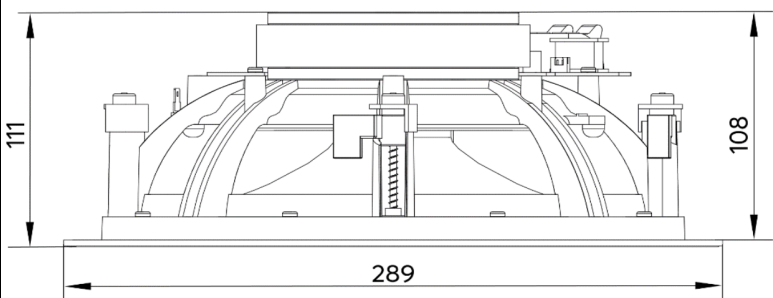
Connection Diagram



## Product Characteristics

|         |                 |
|---------|-----------------|
| Colours | Black: RAL 9004 |
| Finish  | Matte           |

## Weight & Dimensions

|                            |   |
|----------------------------|---|
| Net weight                 | 2.85 kg   |
| Total weight               | 3.45 kg   |
| Hole cut out size          | 258 mm / 10.2" (Ø)  |
| Installation depth         | 108 mm / 4.25"  |
| Max. panel thickness       | 36 mm / 1.41"   |
| Product dimensions         | 289 x 111 mm / 11.38 x 4.37" (Ø x D)  |
| Product dimensions drawing |  <p>The drawing is a cross-sectional view of the device. It shows a circular base with a diameter of 289 mm. The total depth of the device is 111 mm. The installation depth, which is the distance from the top of the device to the bottom of the mounting hole, is 108 mm. The drawing also shows various internal components, including a central screw and several curved mounting arms.</p> |
| Pack size                  | 325 x 330 x 150 mm / 12.80 x 12.99 x 5.91" (L x W x H)  |

Installation must be carried out by a qualified electrician in accordance with the relevant regulations.

### Published by

Loxone Electronics GmbH  
 Smart Home 1  
 4154 Kollerschlag  
 Austria  
 Tel: +43 7287 7070-0  
 loxone.com

Loxone UK Ltd.  
 The Forum  
 Station Road  
 Theale, RG7 4RA  
 United Kingdom

## Datenblatt

### Install Sub 10 Master

Part No: 610162



## Über das Produkt

Der Install Sub 10 Master überzeugt durch seine hervorragenden Audioeigenschaften und seine **zahlreichen Einsatzmöglichkeiten**. Er wird direkt über **Tree Turbo** angeschlossen und kann das Audiosignal an eine Kette von **bis zu 20 Client Speakers** übertragen. Auf diese Weise bildet er eine **flexible Audiolösung**, die für jede Gebäudegröße skalierbar ist. Der Install Sub 10 Master erweitert jede Master/ Client Installation und **verbessert die Klangqualität** einer Audioinstallation erheblich, indem er tiefe Frequenzen präzise wiedergibt.

### Features:

- Vollständige Integration in das Loxone System
- Musikstreaming über Bluetooth
- Bis zu 20 Client Speaker via Daisy Chain pro Master
- Bis zu 150m Leitungslänge (Tree Turbo/Master Speaker)

### Passende Einbaugehäuse:

- [Gehäuse für 10" Install Speaker](#) wenn der Subwoofer im Raum stehend platziert wird.
- [Aufbaubox für 10" Install Speaker](#) wenn der Install Sub 10 an Decke oder Wand montiert werden soll.

## Versorgung und Leistung

|                     |                                |
|---------------------|--------------------------------|
| Versorgungsspannung | 18VDC ... 26VDC                |
| Leistungsaufnahme   | 1,5W (Standby)<br>35W (Spitze) |

## Schnittstellen

|                               |   |
|-------------------------------|---|
| Loxone Tree Turbo             | Verbindung mit Audioserver oder Miniserver Compact  |
| Master-Client Interface (MCI) | bis zu 20 Speaker Clients pro Master<br>bis zu 30m Kabellänge zwischen den Clients<br>bis zu 600m Gesamtlänge<br>Verkabelung: Twisted Pair, Linientopologie |
| Drahtlos                      | Bluetooth: Eingang V4.2   |





## Audio-Spezifikationen

|                           |  |
|---------------------------|--|
| Lautsprecher Typ          | Aktiv-Subwoofer, Doppelschwingspule                      |
| Class-D-Verstärker        | 35W Nennleistung<br>70W Spitzenleistung                  |
| Übertragungsbereich       | 30 ... 100Hz   |
| Übergangsfrequenz         | 100Hz  |
| SPL                       | 105dB @ 1m max.  |
| Tieftöner Ø               | 254 mm / 10"   |
| Tieftöner-Membranmaterial | Altima (Aluminium-, Titan-, Magnesium- Verbundwerkstoff) |

## Umgebungsbedingungen

|                  |                                       |
|------------------|---------------------------------------|
| Temperatur       | -10 ... 50 °C / 14 ... 122 °F         |
| Luftfeuchtigkeit | max. 95 % r. F. (nicht kondensierend) |

## Zertifizierungen & Standards

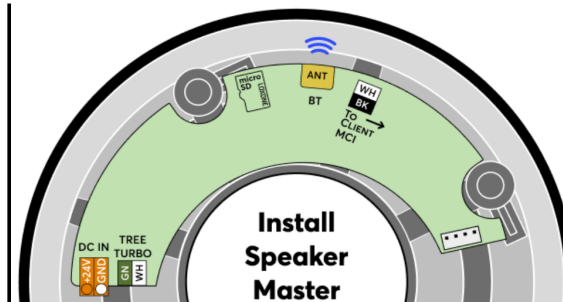
|                  |  |
|------------------|--|
| Schutzart        |   |
| Zertifizierungen |    |

## Anschlussklemmen

|                         |   |
|-------------------------|---|
| Klemmentyp              | 24VDC: TFKC 2.5<br>Tree Turbo, MCI: DG220B  |
| Leiterquerschnitt       | 24VDC: 1 ... 2.5mm <sup>2</sup> / AWG17...12<br>Tree Turbo, MCI: 0.28 ... 0.8mm <sup>2</sup> / AWG23 ... 18 |
| Leitertyp               | 24VDC: Stranded / Solid<br>Tree Turbo, MCI: Solid   |
| Abisolierlänge          | 24VDC: 10mm / 0.39"<br>Tree Turbo, MCI: 5 ... 6mm / 0.2 ... 0.24"   |
| Temperaturbeständigkeit | 24VDC: -40 ... 70°C / -40 ... 158°F Tree Turbo, MCI: -40 ... 105°C / -40 ... 221°F                          |
| Anschlussart            | 24VDC: Push-in<br>Tree Turbo, MCI: Push-in  |

## Anschlussplan

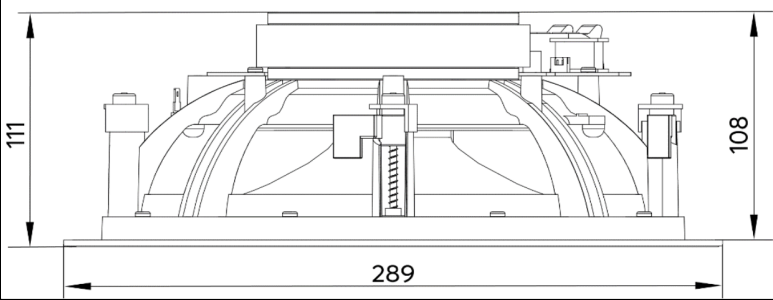
Anschlussplan



## Produkteigenschaften

|           |                   |
|-----------|-------------------|
| Farbe     | Schwarz: RAL 9004 |
| Glanzgrad | Matt              |

## Gewicht & Abmessungen

|                     |  |
|---------------------|--|
| Nettogewicht        | 2,85 kg  |
| Bruttogewicht       | 3,45 kg  |
| Ausschnittgröße     | 258 mm / 10,2" (Ø)   |
| Einbautiefe         | 108 mm / 4,25"   |
| Max. Plattenstärke  | 36 mm / 1.41"  |
| Produktmaße         | 289 x 111 mm / 11,38 x 4,37" (Ø x T)   |
| Produktmaßzeichnung |  |
| Packmaß             | 325 x 330 x 150 mm / 12,80 x 12,99 x 5,91" (L x B x H)                             |

Die Installation muss von einer qualifizierten Elektrofachkraft gemäß den einschlägigen Vorschriften durchgeführt werden.

### Veröffentlicht von

Loxone Electronics GmbH  
Smart Home 1  
4154 Kollerschlag  
Austria  
Tel: +43 7287 7070-0  
loxone.com

Loxone UK Ltd.  
The Forum  
Station Road  
Theale, RG7 4RA  
United Kingdom